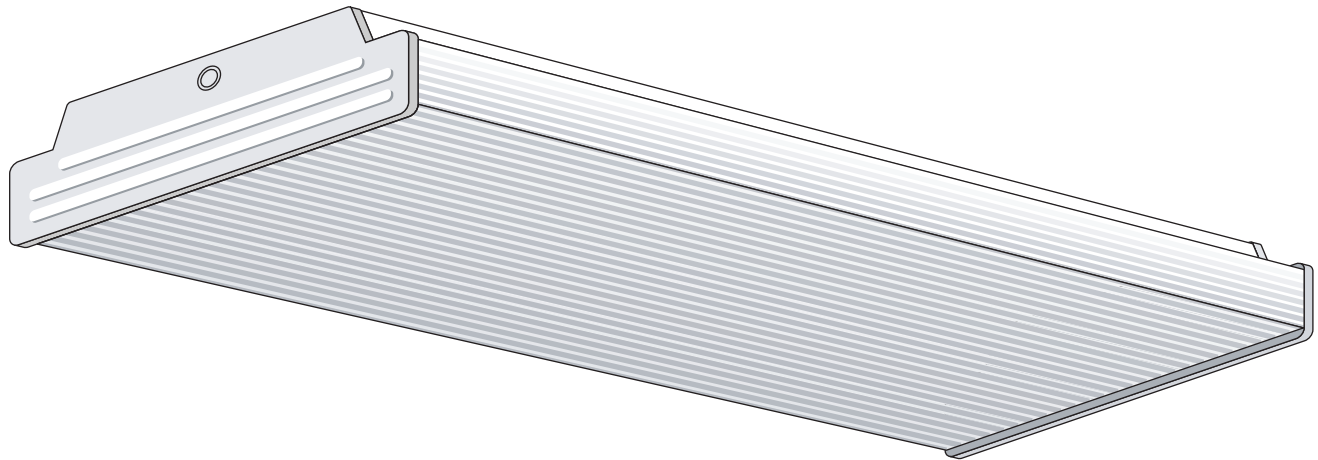


Narrow Wraparound



GENERAL DESCRIPTION

A low-profile, narrow, 2-light fluorescent wraparound. All fixture parts snap together for ease of installation and maintenance. Housing accepts lift-and-shift lenses and frames, as well as frames that fit flush to the ceiling.

SPECIFICATIONS

Housing: Die-formed heavy-gauge steel. Side flanges add maximum rigidity.

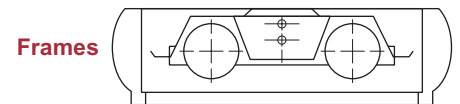
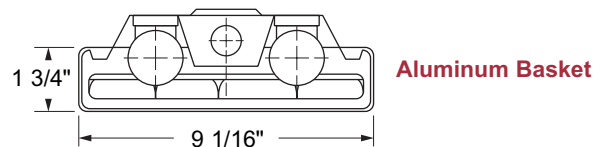
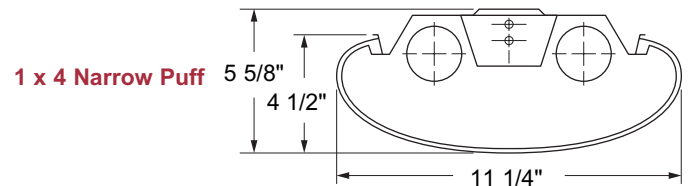
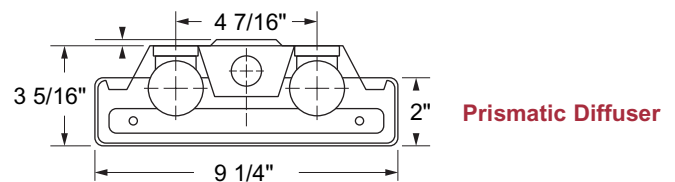
Ends: Snap-on tightly to the housing. Formed tabs hold two slide-on sockets. Ends can also be ordered cut down for reverse-form puffs and frames.

Ballast Cover: Snaps into housing to cover ballast and wires.

Diffuser (not included): Fixture accepts lift-and-shift prismatic lenses, reverse-form puffs and aluminum baskets. Frames can be screwed to cut-down ends on the body and flush mounted to the ceiling.

Finish: White polyester polymer with a minimum of 82% reflectivity.

Mounting: Units may be surface or stem mounted, individually or in continuous rows.



NOTES

Dimensions subject to change without notice.

Catalog No.	Lamps	Voltage	Length	Width	Type
F-WA232N	2 T8	120V-277V	48"	9"	Bi-Pin Shunted
F-WA232N-RES	2 T8 (Residential)	120V-277V	48"	9"	Bi-Pin Shunted
F-WA232N-EMG	2 T8 (Emergency)	120V-277V	48"	9"	Bi-Pin Shunted